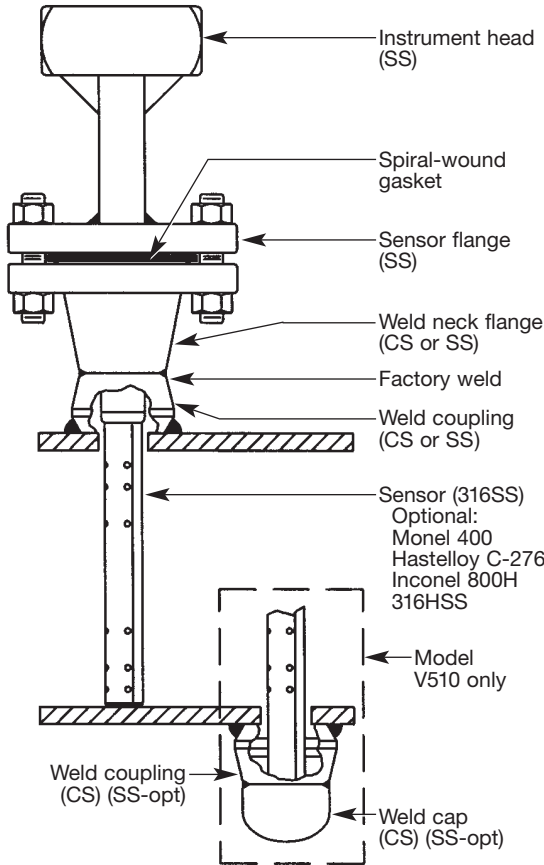


Differential Pressure Flow Sensors

V500 Single Support
V510 Double Support
 Flanged Components

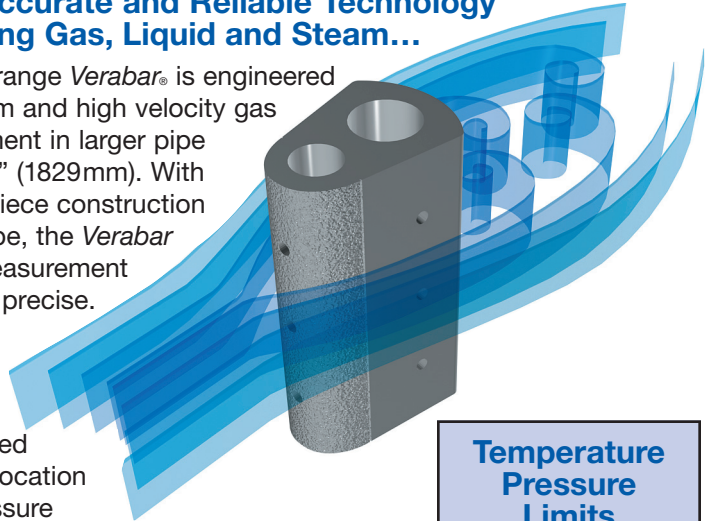
V500 (Single Support)
V510 (Double Support)



The Most Accurate and Reliable Technology for Measuring Gas, Liquid and Steam...

The extended range Verabar® is engineered for liquid, steam and high velocity gas flow measurement in larger pipe sizes, up to 72" (1829mm). With its solid, one-piece construction and bullet shape, the Verabar makes flow measurement leak proof and precise.

The unique sensor shape reduces drag and flow induced vibration. The location of the low-pressure ports eliminates the potential for clogging and improves signal stability.



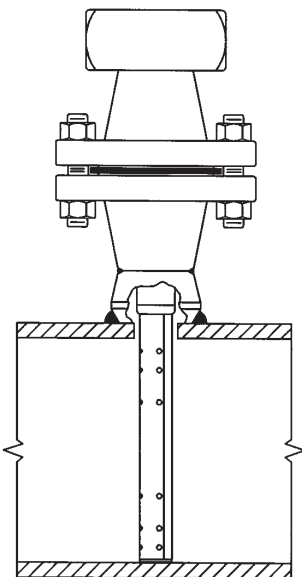
Temperature Pressure Limits (ANSI Class)*

150#
275 psig @ 100°F (19 Bars @ 38°C)
80 psig @ 800°F (5.5 Bars @ 426°C)
300#
720 psig @ 100°F (49.6 Bars @ 38°C)
410 psig @ 800°F (28.3 Bars @ 426°C)
600#
1440 psig @ 100°F (99.3 Bars @ 38°C)
825 psig @ 800°F (56.9 Bars @ 426°C)
1500#
3600 psig @ 100°F (248.2 Bars @ 38°C)
190 psig @ 1500°F (13.1 Bars @ 815°C)
2500#
6000 psig @ 100°F (419.6 Bars @ 38°C)
315 psig @ 1500°F (21.7 Bars @ 815°C)

Model Specs	V500 & V510
Pipe Connection	Flanged
Sensor Code	20
Sensor Diameter	2" (51mm)
Accuracy	±1% of flow rate; ±0.5% if calibrated
ANSI Class*	150#, 300#, 600#, 1500#, 2500#
Pipe Size	12" - 72" (300mm - 1829mm)
Instrument Connection	1/2" NPT
Components Furnished	Weld coupling, weldneck flange, gaskets, studs & nuts V510 includes additional weld coupling and pipe cap.
Flange Size	3"

High Pressure and Temperature

Applications up to ANSI Class 2500#



Unique Design Features

High Pressure Threaded (HPT) and High Pressure Socket (HPS) designs offer the highest possible pressure and temperature capabilities. When pressure containment and safety are primary concerns, the HPT/HPS has the strongest and safest design in the industry.

As with all Veris designs, it meets ANSI/ASME B31.1 and can be supplied with code welding (ASME Section IX), hydrostatic testing, N.A.C.E. and material traceability.

* DIS and JIS flanges available. Consult factory.

Applications

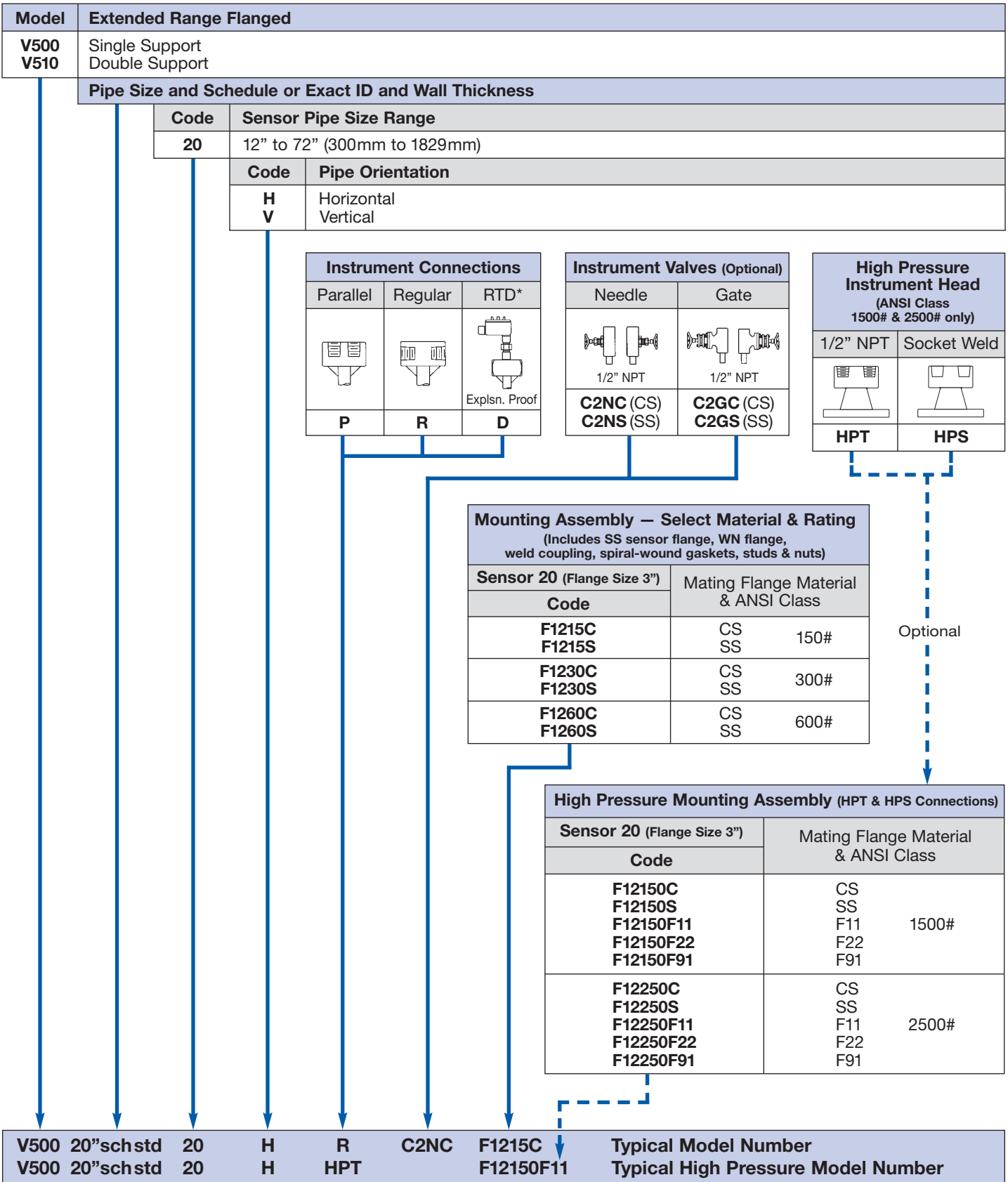
Main Header Steam Lines
 Used for high pressure and temperature applications such as main header steam lines.

For these applications, pipe mounting assemblies are available in chrome-moly material (ASTM A182 F11, F22 & F91).

Other Applications

- High pressure and temperature gasses and liquids
- Natural gas transmission lines
- Boiler feed water lines
- Oil well injection lines

Ordering Information



* For high pressure (>500psig) or high temperature (>500°F), remote mount RTD in a thermowell is preferred.

ISO 9001 Certified

Veris, Inc. is in compliance with this standard to ensure that our customers are receiving the highest quality products available.